



MCU211-UDD-865

Key Features:

Stainless Steel Interior & Exterior

Front Breathing & Venting Refrigeration System
Designed To Operate In 43°C Ambient

“Ventless” Front Grill

-2 / +4°C Refrigerator Temperature Range

Electronic Controller With Easy Read LCD Screen

Hi / Lo Audio Visual Temperature Alarms

Built-In Air Duct For Even Temperature Distribution

R290 Hydrocarbon Refrigerant

Condensing Unit Safety System To Protect
Compressor From Blocked Condensers

Hot Gas Defrost

Rifle Bore Coated Evaporators & Condensers

Waste Heat Recovery Condensate Vaporiser System

Zero ODP Injected Polyurethane Insulation - 60mm

Anti-Condensation Door Frame Heaters

GN 1/1 Shelving System

Heavy Duty Nylon Coated Shelves & Anti-Tilt Slides

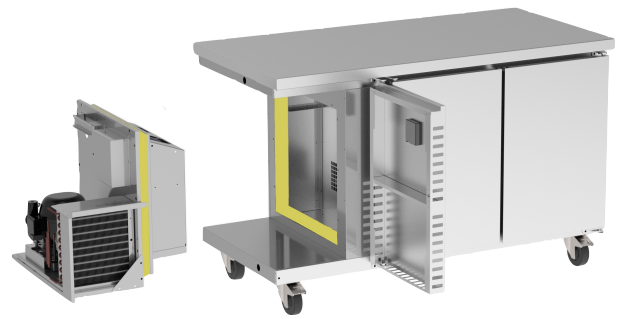
Interchangeable Doors / Drawers

Self Closing Doors With Integrated Flush Handles

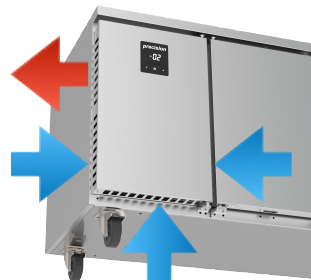
Front Mounted Hinges Plates

Removable Worktops

Heavy Duty Brake & Swivel Castors



*Entire refrigeration system is removable for easy servicing/
replacement. The condensing unit can also be pulled forward
without removing the whole system when side access isn't possible.*



*Front Breathing & Venting
Refrigeration System - No side/
rear/top/bottom ventilation
required - Perfect For Plinth
Mount Applications*

Options:

Door / Drawer Locks

Bank of 2 Drawers - H

Bank of 3 Drawers - T

Customised Worktops

“Biscuit Top” - Lowers Height By 20mm

Low Profile Castors - Lowers Height By 17mm

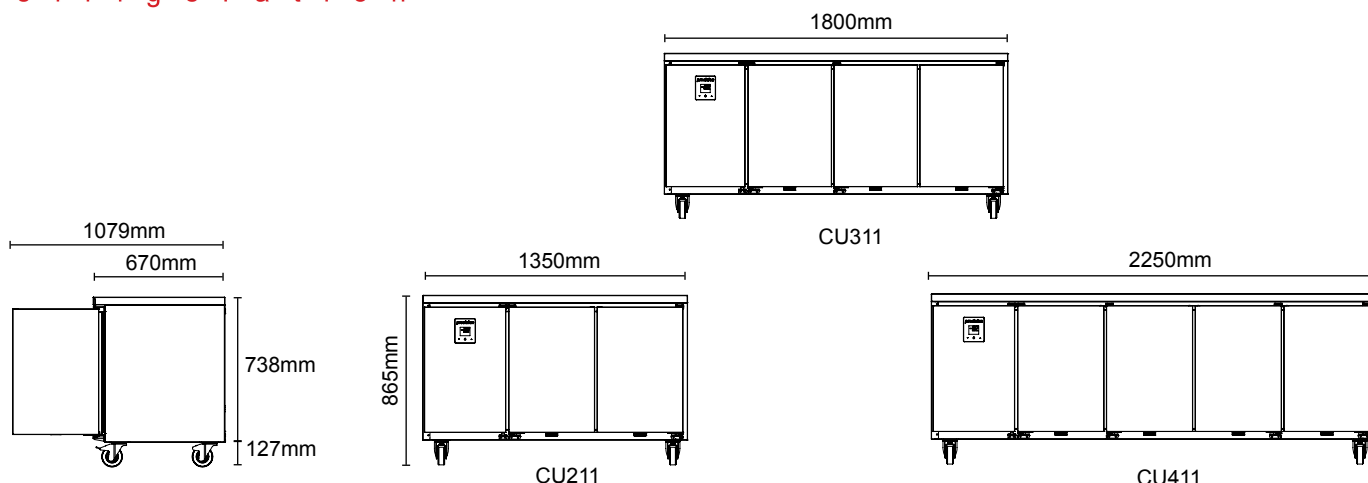
Levelling Feet (Plinth) - Lowers Height By 106mm

Adjustable Legs - Increases Height to 910mm Max

ST/ST Back / Splashback

Extra Shelves / Slides

Precision Connect



Model	MCU211	LCU211	MCU311	LCU311	MCU411
Type	Refrigerator	Freezer	Refrigerator	Freezer	Refrigerator
Material	ST/ST Int/Ext	ST/ST Int/Ext	ST/ST Int/Ext	ST/ST Int/Ext	ST/ST Int/Ext
Shelf Size	GN1/1	GN1/1	GN1/1	GN1/1	GN1/1
Number of Shelves	4	4	6	6	8
Max Number of Shelves (100mm Spacing)	10	10	15	15	20
Temperature Range	-2 / +4°C	-18 / -22°C	-2 / +4°C	-18 / -22°C	-2 / +4°C
Exterior WxDxH (mm)	1350x670x865	1350x670x865	1800x670x865	1800x670x865	2250x670x865
Net Usable Volume (litres)	168	168	251	251	335
Weight (KG)	115	120	145	150	185
Refrigerant / GWP	R290 /3	R290 /3	R290 /3	R290 /3	R290 /3
Refrigeration Watts (+45°C Condensing)	425	495	425	495	425
Evaporating Temp	-10°C	-30°C	-10°C	-30°C	-10°C
Heat Rejection Watts*	638	992	638	1028	638
Noise Output (dBa)	59	63	59	63	59
Power	230 / 50 / 1	230 / 50 / 1	230 / 50 / 1	230 / 50 / 1	230 / 50 / 1
Running Amps	0.8	3.0	0.8	3.4	0.8
Total Electrical Load - kW	0.18	0.69	0.18	0.78	0.18
Energy Consumption / 24hrs - kWh**	1.02	4.73	1.24	7.53	1.51
Energy Consumption / Year (AEC) - kWh**	372	1726	453	2748	551
Energy Efficiency Class**	A	D	A	D	A

* Heat Rejection is taken at the listed evaporating and condensing condition. Watts is calculated by taking the total power of the cabinet.

** Tested to BS EN ISO 22041

We are constantly innovating and improving our products. Please always check our website for the most up-to-date version of this spec sheet